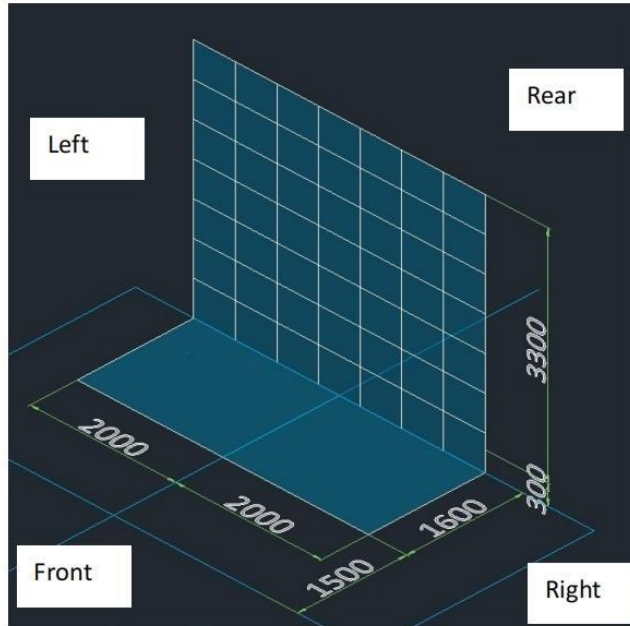


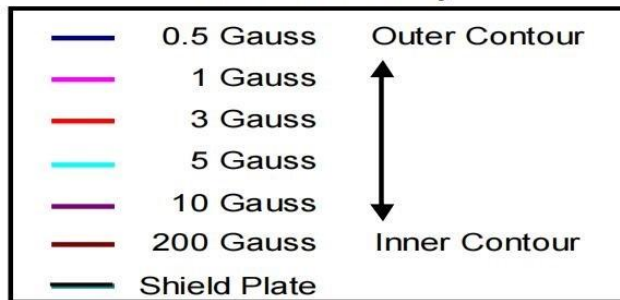
Isometric View

Optima MR360 1.5TSHIELD MODEL: ALL9 mm 50TW600



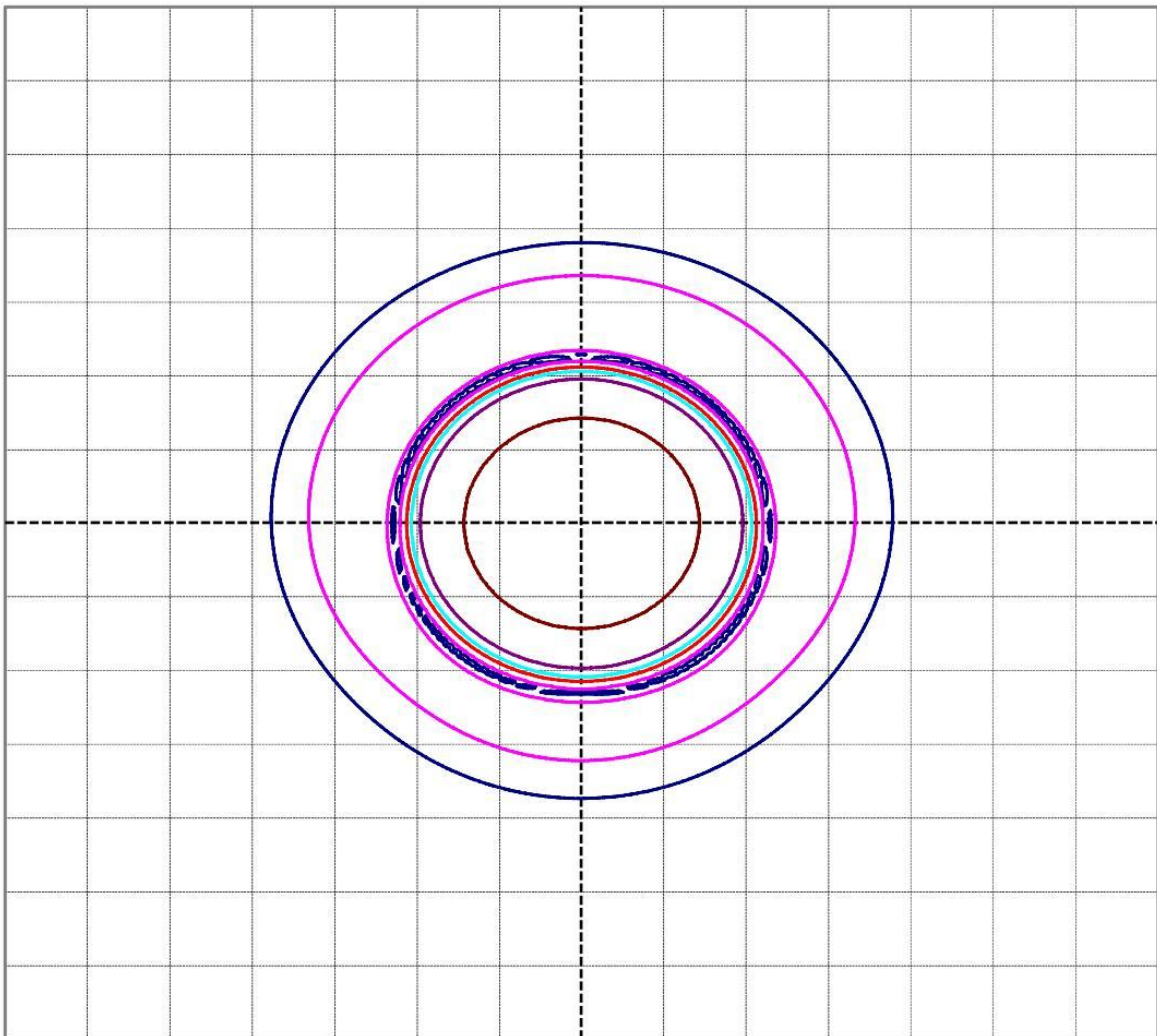
ATTRACTIVE FORCE OF THE MAGNET ON THE STEEL SHIELD WILL BE A MAXIMUM OF 30% OF THE SHIELD'S WEIGHT. SUPPORT STRUCTURE MUST ACCOUNT FOR THESE ADDITIONAL FORCES. ATTRACTIVE FORCE OF THE MAGNET ON THE FLOOR OR SUB-FLOOR MAY BE SUFFICIENT TO LIFT THE SHIELDS WEIGHT. SUPPORT STRUCTURE MUST PREVENT THIS WITH ADHESIVE, BRACES, OR FASTNERS.

Gauss Plot Key

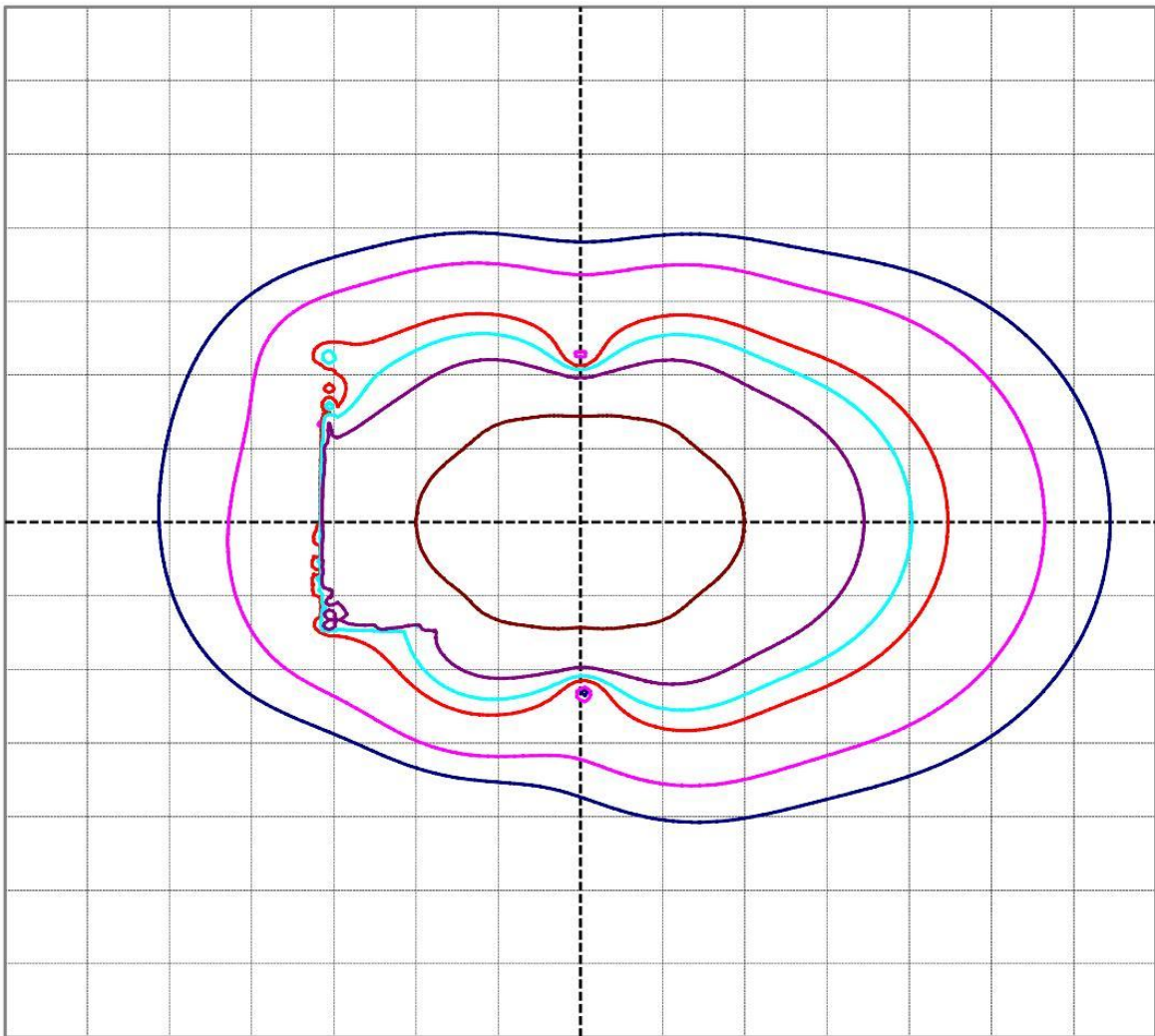


Use this key to read the FRONT, SIDE, and TOP view plots of the isogauss contours through the magnet isocenter.

Front View



Side View



Top View

